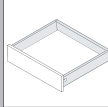
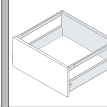
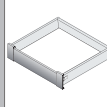
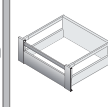
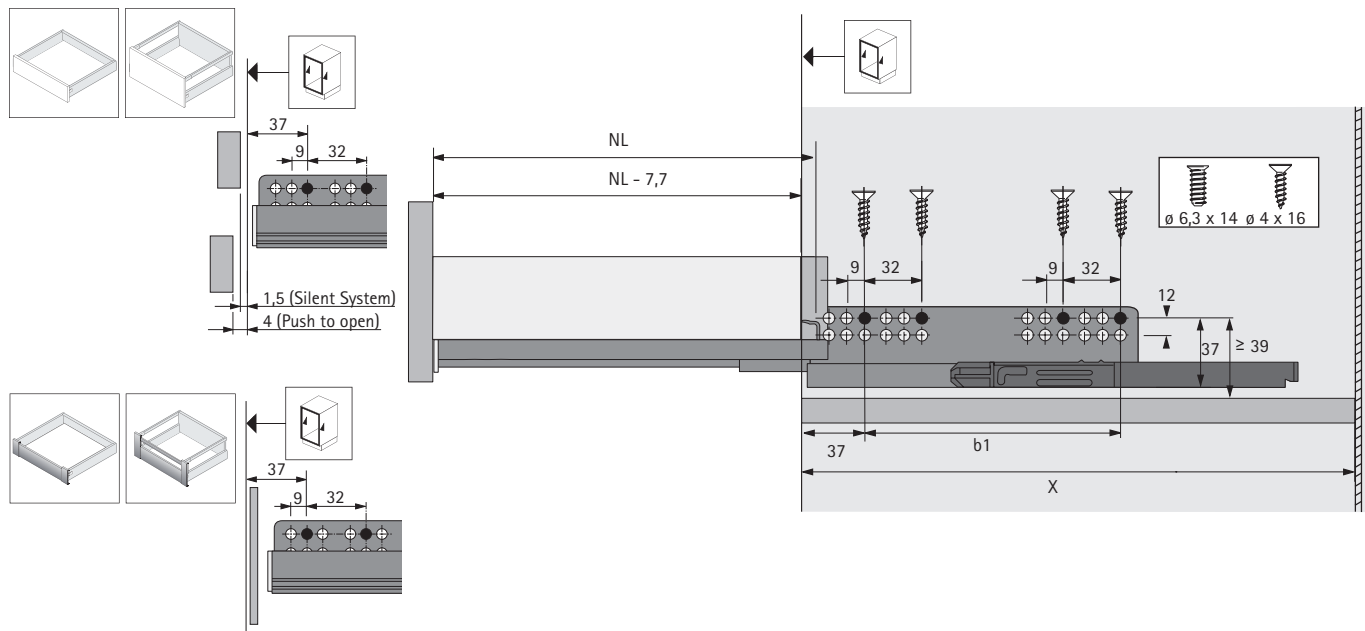
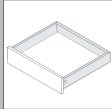
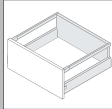
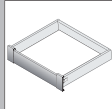
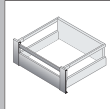


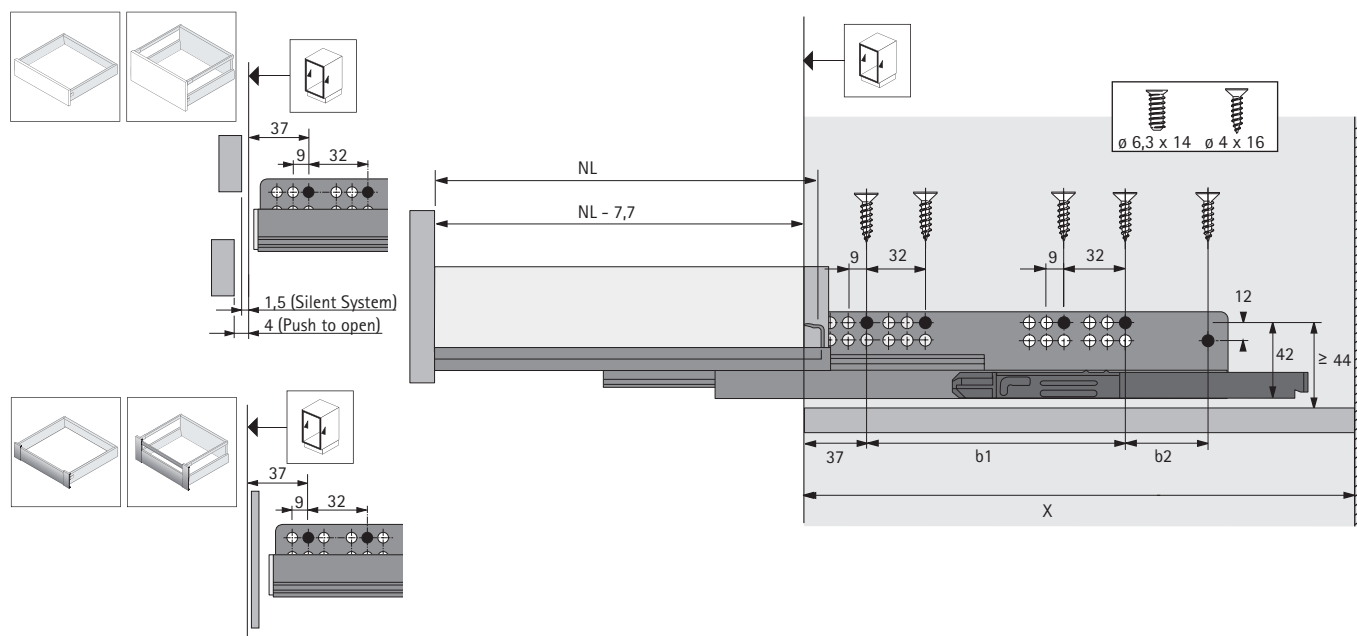
NL mm	b1 mm	EL mm	  X mm	  X mm
260	160	50	279	288
300	160	70	315	324
350	160	70	365	374
420	256	82	435	444
470	256	94	485	494
520	256	106	535	544

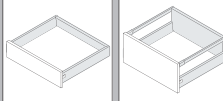
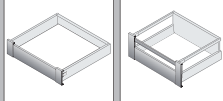
InnoTech / InnoTech Atira

Quadro V6 Silent System, Push to open



NL mm	b1 mm	 		 	
		X mm	X mm	X mm	X mm
260	160	279	305 (Push to open)	288	314 (Push to open)
300	160	315		324	
350	160	365		374	
420	224	435		444	
470	256	485		494	
520	256	535		544	

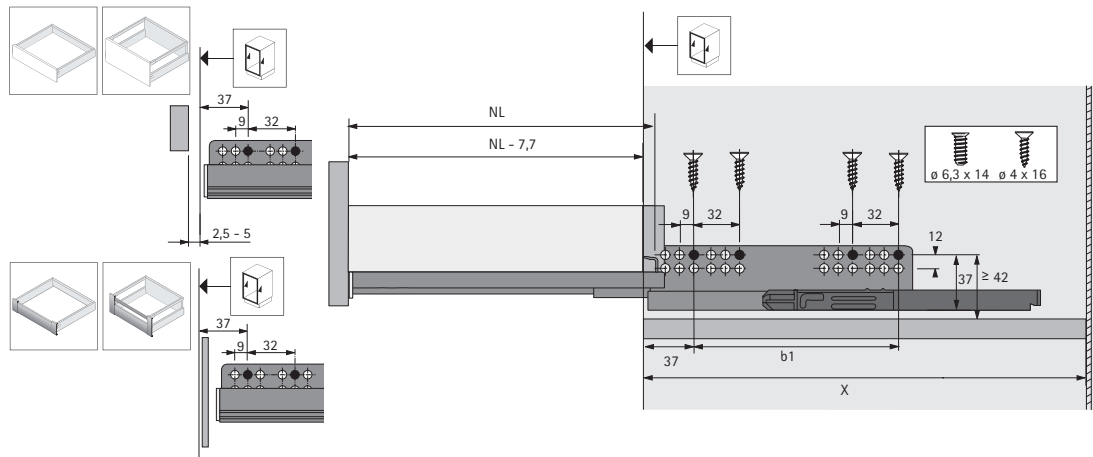


NL mm	b1 mm	b2 mm	 X mm	 X mm
300	160		315	324
350	192		365	374
420	224		435	444
470	256		485	494
520	256		535	544
620	352	64	635	644

InnoTech / InnoTech Atira

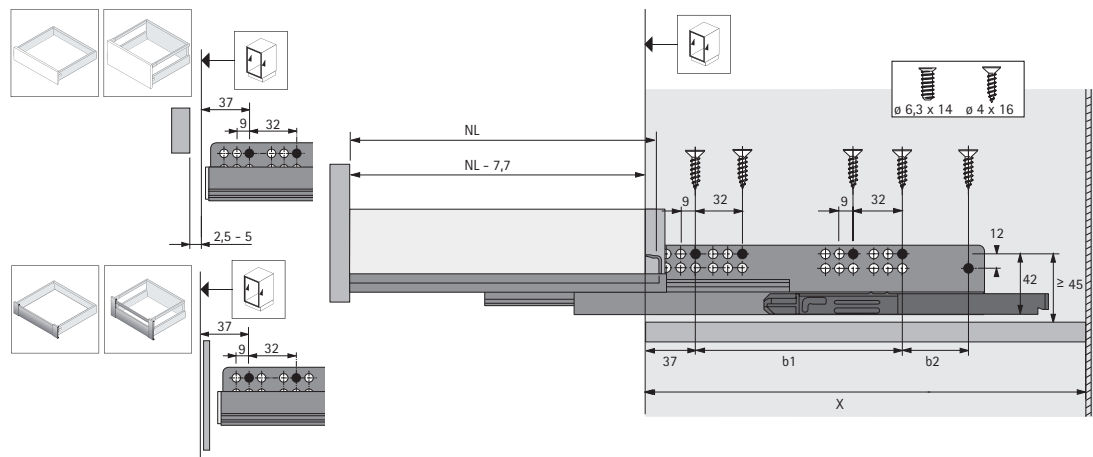
Quadro V6 / Quadro V6+ Push to open silent

Quadro V6



NL mm	b1 mm	X mm	X mm
260	160	279	288
300	160	315	324
350	160	365	374
420	224	435	444
470	256	485	494
520	256	535	544

Quadro V6+



NL mm	b1 mm	b2 mm	X mm	X mm
300	160		315	324
350	192		365	374
420	224		435	444
470	256		485	494
520	256		535	544
620	352	64	635	644